

# VicFlex™ Sprinkler Fittings

## Series AH2-300 and AH2-CC-300

### Braided Flexible Hose Assemblies



#### 1.0 PRODUCT DESCRIPTION

##### Available Sizes by Component

- **Series AH2-300 1"/DN25 Nominal ID Braided Hose:** 31, 36, 48, 60, 72"/790, 914, 1220, 1525, 1830mm.  
Note: length includes branch-line nipple and 5.75"/140mm straight reducer
- **AH2-CC-300 1"/DN25 Nominal ID Braided Hose:** 31, 36, 48, 60, 72"/790, 914, 1220, 1525, 1830mm.  
Note: length includes branch-line nipple and 5.75"/140mm straight reducer
- **Sprinkler Reducers:**
  - **Sprinkler Connections:** ½" and ¾"/15 and 20 mm
  - **Straight Lengths:** 5.75"/140mm, 9"/230mm, 13"/330mm
  - **90° Elbows:**
    - Short (typically used with concealed sprinklers)
    - Long (typically used with recessed pendent sprinklers)
- **Inlet Connections:**
  - 1"/25mm NPT or BSPT
  - 1" IGS connection

ALWAYS REFER TO ANY NOTIFICATIONS AT THE END OF THIS DOCUMENT REGARDING PRODUCT INSTALLATION, MAINTENANCE OR SUPPORT.

System No.		Location	
Submitted By		Date	

Spec Section		Paragraph	
Approved		Date	

## 1.0 PRODUCT DESCRIPTION (CONTINUED)

---

### Brackets

- Style AB1 for suspended and hard-lid ceilings, allows installation before most ceiling tiles in place
- Style AB2 for suspended and hard-lid ceilings and sidewalls, allows for vertical sprinkler adjustment, and installation before most ceiling tiles in place
- Style AB3 for surface mount applications, wood, metal and block walls, or ceilings
- Style AB4 for hard-lid ceilings with hat furring channel grid systems, allows for vertical sprinkler adjustment
- Style AB5 for hard-lid ceilings and sidewalls, allows for vertical sprinkler adjustment
- Style AB7 for suspended and hard-lid ceilings
- Style AB7 Adjustable for suspended and hard-lid ceilings
- Style AB8 for hard-lid ceilings with CD 60/27 profile metal studs (regionally available)
- Style AB10 for Armstrong® TechZone™ ceilings
- Style AB12 for suspended and hard-lid ceilings, allows for vertical sprinkler adjustment, and allows for low profile installation down to 4"/100mm
- Style ABBA bracket for suspended, exposed, and hard-lid ceilings
- Style ABMM bracket for surface mount and stand off-mount applications, wood, metal and block walls, or ceilings and hard-lid ceilings

### Maximum Working Temperature

- 225°F/107°C

### Maximum Working Pressure

- 300 psi/2068 kPa

### Connections

- To adapter nipple (inlet) via
  - 1"/25.4 mm Grooved IGS
  - 1"/25.4 mm NPT or BSPT male thread
- To sprinkler head (outlet) via ½" or ¾"/15 mm or 20 mm

### Minimum Bend Radius

- 8"/200 mm

### Maximum Number of Bends per Flexible Drop

- See section 5.0

### Maximum K-Factor of Sprinkler to be Connected to Reducer

- K8.0/11,5 (S.I.) (½"/15mm reducer)
- K14.0/20,2 (S.I.) (¾"/20mm reducer)

---

## 2.0 CERTIFICATION/LISTINGS

---



### 3.0 SPECIFICATIONS – MATERIAL

---

#### Series AH2-300

- **Flexible Hose:** 300-series stainless steel
- **Collar/Weld Fitting:** 300-series stainless steel
- **Gasket Seal:** Victaulic EPDM
- **Isolation Ring:** Nylon
- **Nut and Nipple:** Carbon Steel, Zinc-Plated
- **Reducers (½ or ¾"):** Carbon Steel, Zinc-Plated

**Brackets:** Carbon Steel, Zinc-Plated

#### Series AH2-CC-300

- **Flexible Hose:** 300-series Stainless Steel
- **Collar/Weld Fitting:** 300-series Stainless Steel
- **Gasket Seal:** Victaulic EPDM
- **Isolation Ring:** Nylon
- **Coupling Retainer Ring:** Polyethelene
- **Nut and Nipple:** Carbon Steel, Zinc Plated
- **Reducer (½"/15 mm or ¾"/20 mm):** Carbon Steel, Zinc-Plated
- **Housing:** Ductile iron conforming to ASTM A 536, Grade 65-45-12. Ductile iron conforming to ASTM A 395, Grade 65-45-15, is available upon special request.

#### Coupling Housing Coating:

- Orange enamel (North America, Asia Pacific).
- Red enamel (Europe).
- Hot dipped galvanized.

#### Grade "E" EPDM (Type A) Vic-Plus™ Pre-lubricated Gasket

- EPDM (Violet Color Code). Applicable for wet and dry (oil-free air) fire protection systems only. Listed/Approved for continuous use in wet and dry systems. Listed/Approved for dry systems at -40°F/-40°C and above. Not compatible for use with hot water services or steam services.

Note: Reference should always be made to [publication I-100](#), Victaulic Field Installation Handbook for gasket lubrication instructions.

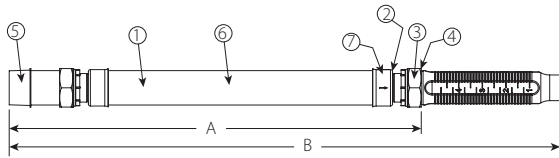
Note: Services listed are General Service Guidelines only. It should be noted that there are services for which these gaskets are not compatible.

Reference should always be made to [publication 05.01](#), Victaulic Gasket Selection Guide for specific gasket service guidelines and for a listing of services which are not compatible.

- **Bolts/Nut:** Zinc electroplated carbon steel, trackhead meeting the physical and chemical requirements of ASTM A 449 and physical requirements of ASTM A 183.
- **Linkage:** CrMo Alloy Steel zinc electroplated per ASTM B633 Zn/Fe 5, Type III Finish

## 4.0 DIMENSIONS

### Product Details - Series AH2-300 Braided Hose

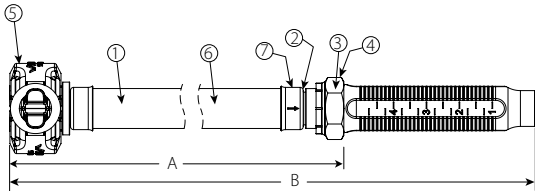


Item	Description
1	Flexible Hose
2	Isolation Ring
3	Gasket
4	Nut
5	Branch Line Nipple
6	Braid
7	Collar/Weld Fitting

### Hose Length Dimensions

Hose Length inches mm	A inches mm	B inches mm
31 790	25.3 641	31 790
36 915	31.3 794	36 915
48 1220	42.3 1073	48 1220
60 1525	54.3 1378	60 1525
72 1830	66.3 1683	72 1830

### Series AH2-CC-300 Braided Hose



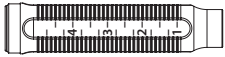
Item	Description
1	Flexible Hose
2	Isolation Ring
3	Gasket
4	Nut
5	Style 108 Coupling
6	Braid
7	Collar/Weld Fitting

### Hose Length Dimensions

Hose Length inches mm	A inches mm	B inches mm
31 790	24.5 622	29.8 757
36 915	29.5 749	34.8 884
48 1220	41.5 1054	46.8 1189
60 1525	53.5 1359	58.8 1494
72 1830	65.5 1664	70.8 1798

## 4.1 DIMENSIONS

### Standard Reducer



5.75"/140 mm straight reducer

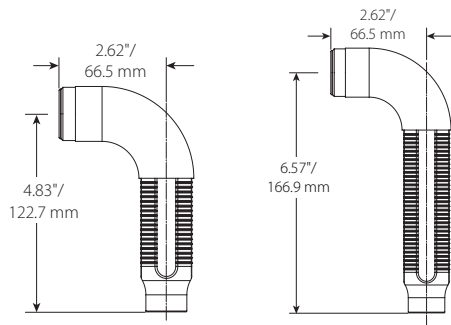
### Optional Reducer



9.0"/229 mm straight reducer



13.0"/330 mm straight reducer



Short 90° elbow reducer

Long 90° elbow reducer

### NOTE

- The Short 90° elbow reducer is typically used with concealed sprinklers while the longer 90 elbow is typically used in the installation of recessed pendent sprinklers.

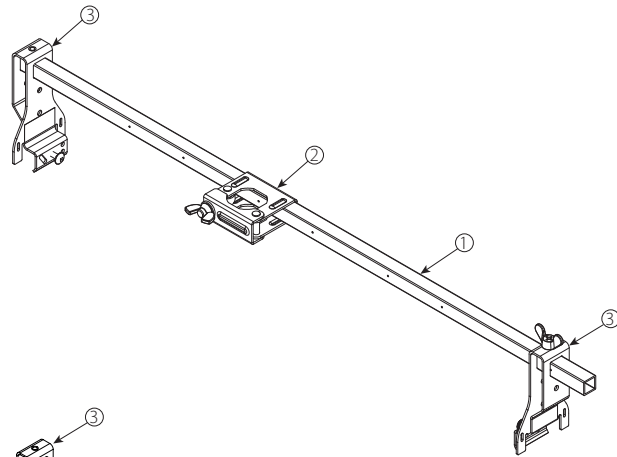
## 4.2 DIMENSIONS

### VicFlex Brackets

#### Style AB1

- Suspended Ceilings
- Hard-Lid Ceilings

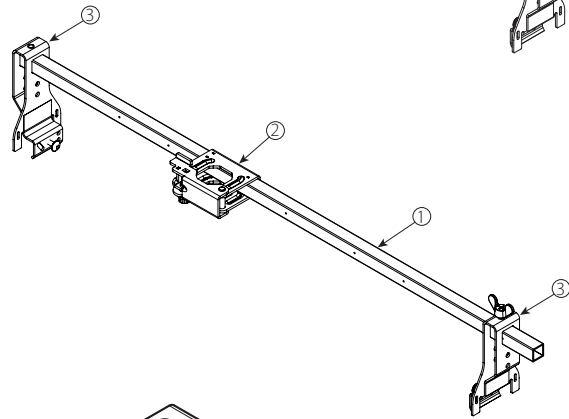
Item	Description
1	24"/610mm or 48"/1219mm Square Bar
2	Patented 1-Bee <sup>2</sup> ® Center Bracket
3	End Bracket



#### Style AB2

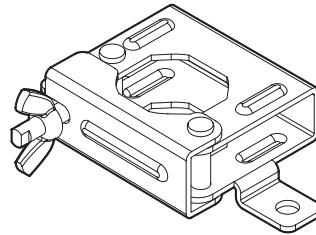
- Hard-Lid Ceilings

Item	Description
1	24"/610mm or 48"/1219mm Square Bar <sup>1</sup>
2	Patent-Pending Adjustable Center bracket
3	End Bracket (adjustable)



#### Style AB3

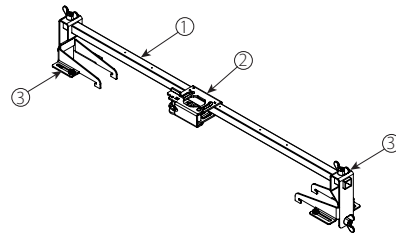
- Surface Mount Applications



#### Style AB4

- Hard-Lid Ceilings with Hat furring channel grid system

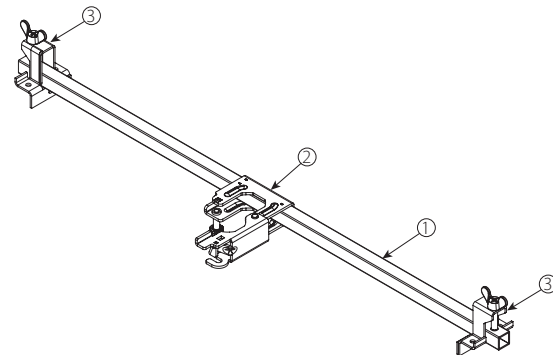
Item	Description
1	24"/610mm or 48"/1219mm Square Bar <sup>1</sup>
2	Patent-Pending Adjustable Center bracket
3	Adjustable End Bracket for Hat Furring Channel



#### Style AB5

- Hard-Lid Ceilings

Item	Description
1	24"/610 mm or 48"/1220 mm Square Bar
2	Patented Vertically Adjustable Center Bracket
3	End Bracket



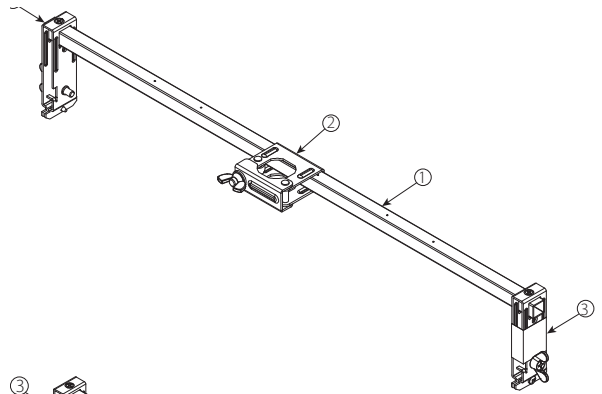
## 4.2 DIMENSIONS (CONTINUED)

### VicFlex Brackets

#### Style AB7

- Suspended Ceilings
- Hard-Lid Ceilings

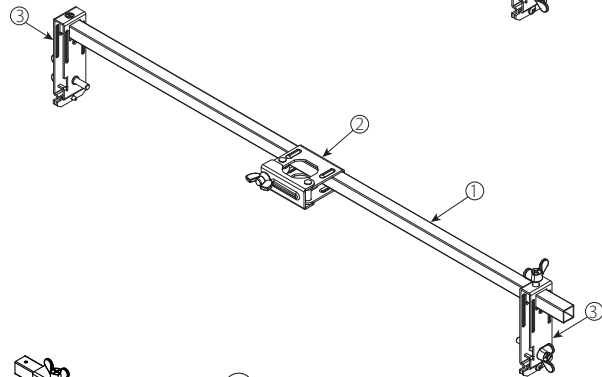
Item	Description
1	24"/610mm or 48"/1219mm Square Bar
2	Patented 1-Bee <sup>2</sup> ® Center Bracket
3	End Bracket



#### Style AB7 Adjustable

- Suspended Ceilings
- Hard-Lid Ceilings

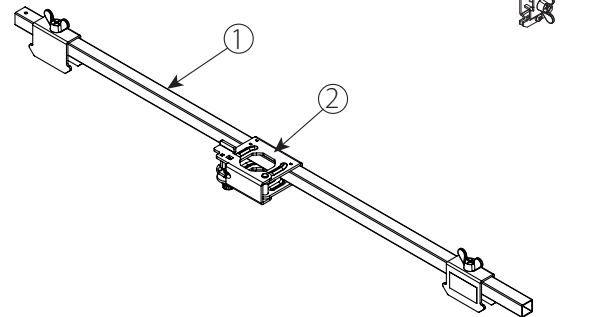
Item	Description
1	700mm or 1400mm Square Bar
2	Patented 1-Bee <sup>2</sup> ® Center Bracket
3	End Bracket (adjustable)



#### Style AB8

- Hard-Lid Ceilings

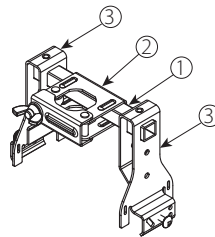
Item	Description
1	700 mm or 1400 mm Square Bar
2	Patented Vertically Adjustable Center Bracket



#### Style AB10

- Suspended ceilings
- Armstrong® TechZone™

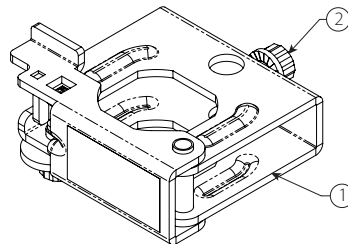
Item	Description
1	6"/152mm Square Bar <sup>1</sup>
2	Patented 1-Bee <sup>2</sup> ® Center Bracket
3	End Bracket



#### Style AB12

- Suspended ceilings
- Hard-Lid ceilings

Item	Description
1	Style AB12 Bracket Body
2	Set Screw



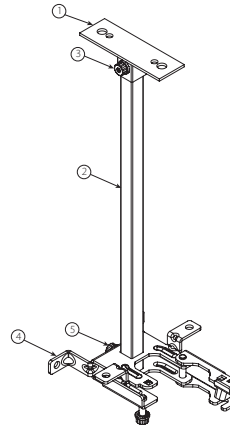
## 4.2 DIMENSIONS (CONTINUED)

### VicFlex Brackets

#### Style ABBA

- Floor-above mount
- Cantilever mount
- Temporary mount in exposed ceilings

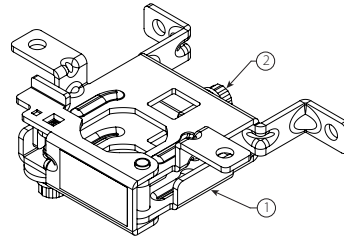
Item	Description
1	Style ABBA Mounting Plate
2	Style ABBA Square Bar
3	Cap Screw, Serated Flange, M6 x 1 x 20, T25 Torx Drive Recessed
4	Style ABMM Bracket Body
5	Cap Screw, Serated Flange, M6 x 1 x 15.24, T25 Torx Drive Recessed



#### Style ABMM

- Surface mount
- Stand-off mount

Item	Description
1	Style ABMM Bracket Body
2	Cap Screw, Serated Flange, M6 x 1 x 15.24, T25 Torx Drive Recessed

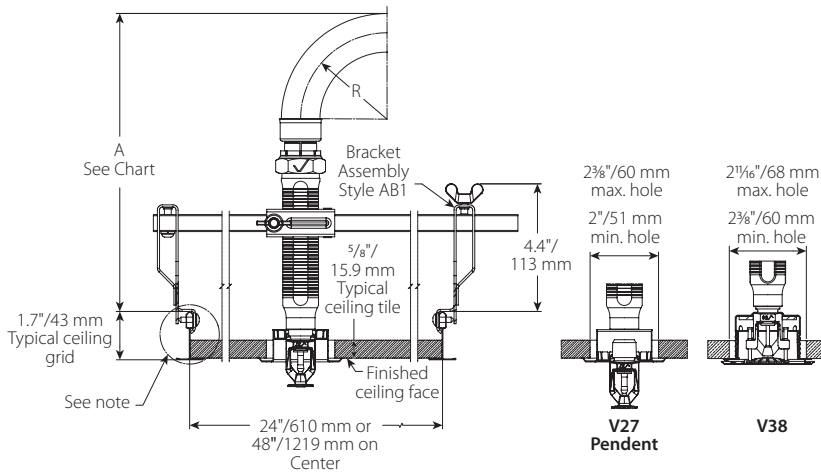




### 4.3 DIMENSIONS

#### Clearances

Series AH2 Braided Hose and Style AB1 Bracket



Hose Clearance Chart				
			Long Elbow	Short Elbow
	V2707 3/4" Max Recess inches mm	V3802 1/2" Max Recess inches mm	V2707 3/4" Max Recess inches mm	V3802 1/2" Max Recess inches mm
"R" Minimum Bend Radius	8.0 203		-	
"A" Minimum Required Installation Space	14.6 371	16.1 409	5.8 147	5.8 147

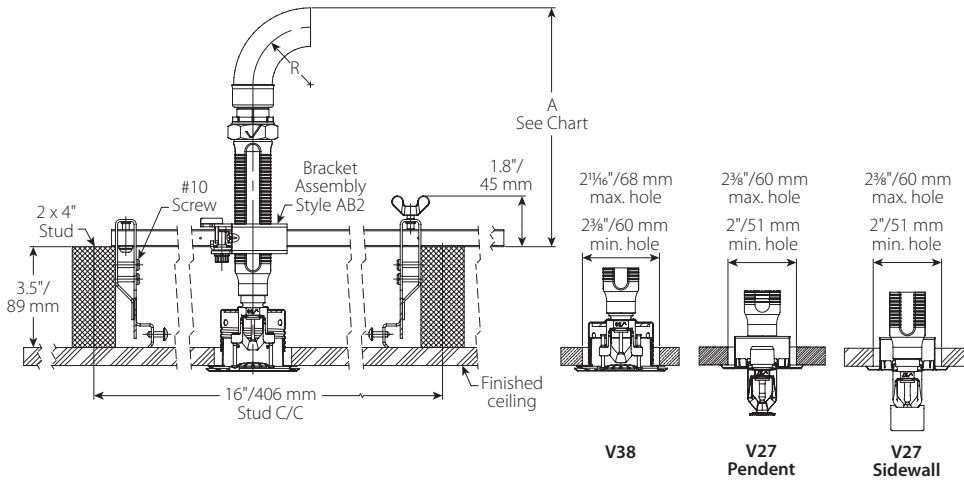
**NOTE**

- Variations of ceiling grids, sprinkler heads, brackets, and hoses are permitted but may result in clearance differences from the figures above.

## 4.4 DIMENSIONS

### Clearances

Series AH2 Braided Hose and Style AB2 Bracket



Hose Clearance Chart			
	V2707 ¾"   20mm Max Recess inches mm	V3802 ½"   13 mm Max Recess inches mm	V2709 ¾"   20mm Sidewall inches mm
"R" Minimum Bend Radius	8.0 203		
"A" Minimum Required Installation Space	12.2 310	13.6 345	12.1 307

Hose Clearance Chart			
	Long Elbow		Short Elbow
	V2707 ¾"   20mm Max Recess inches mm	V2709 ¾"   20mm Sidewall inches mm	V3802 ½"   13 mm Max Recess inches mm
"R" Minimum Bend Radius	-		
"A" Minimum Required Installation Space	3.3 84	3.6 91	3.3 84

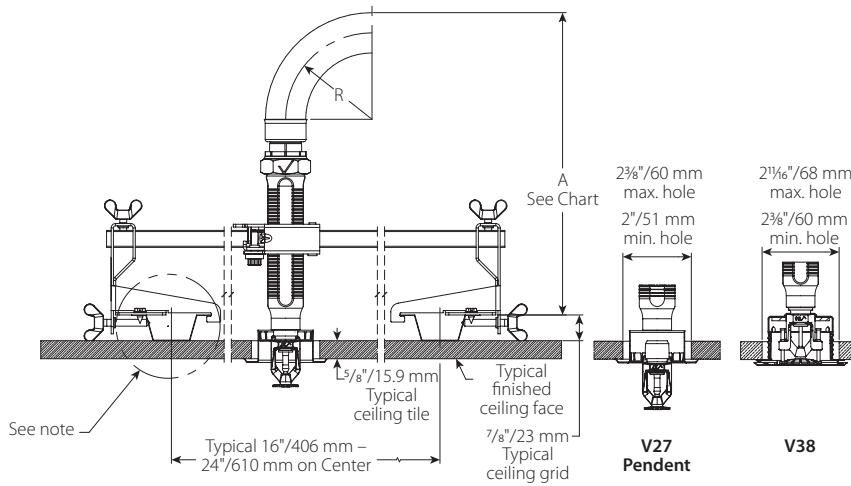
**NOTE**

- Variations of ceiling grids, sprinkler heads, brackets, and hoses are permitted but may result in clearance differences from the figures above.

## 4.5 DIMENSIONS

### Clearances

Series AH2 Braided Hose and Style AB4 Bracket



Hose Clearance Chart				
			Long Elbow	Short Elbow
	V2707 3/4" Max Recess inches mm	V3802 1/2" Max Recess inches mm	V2707 3/4" Max Recess inches mm	V3802 1/2" Max Recess inches mm
"R" Minimum Bend Radius	8.0 203	8.0 203	-	
"A" Minimum Required Installation Space	14.8 376	16.2 411	8.0 203	5.9 150

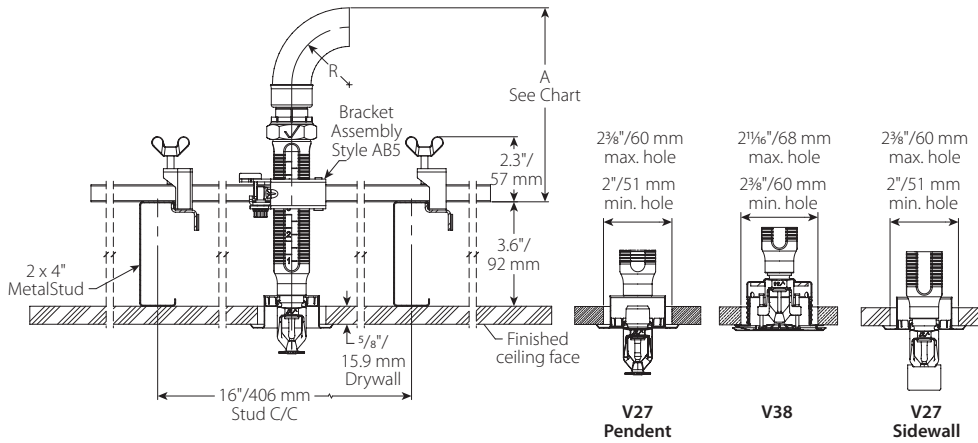
#### NOTE

Variations of ceiling grids, sprinkler heads, brackets, and hoses are permitted but may result in clearance differences from the figures above.

## 4.6 DIMENSIONS

### Clearances

Series AH2 Braided Hose and Style AB5 Bracket



Hose Clearance Chart			
	V2707 3/4"   20mm Max Recess inches mm	V3802 1/2"   13 mm Max Recess inches mm	V2709 3/4"   20mm Sidewall inches mm
"R" Minimum Bend Radius	8.0 203		
"A" Minimum Required Installation Space	12.0 305	13.7 348	12.1 307

Hose Clearance Chart				
	Long Elbow			Short Elbow
	V2707 3/4"   20mm Max Recess inches mm	V3802 1/2"   13 mm Max Recess inches mm	V2709 3/4"   20mm Sidewall inches mm	V3802 1/2"   13 mm Max Recess inches mm
"R" Minimum Bend Radius	-			
"A" Minimum Required Installation Space	3.5 89	4.9 124	3.6 91	3.3 84

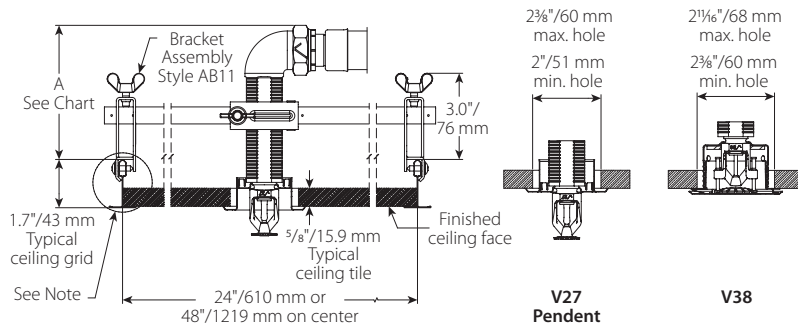
#### NOTE

- Variations of ceiling grids, sprinkler heads, brackets, and hoses are permitted but may result in clearance differences from the figures above.

## 4.7 DIMENSIONS

### Clearances

Series AH2 Braided Hose and Style AB11 Bracket (LOW PROFILE SOLUTION)



Hose Clearance Chart		
	Low-Profile Long Elbow	Low-Profile Short Elbow
	"V2707 3/4"   20mm Max Recess"	V3802 1/2"   13 mm Max Recess
	inches mm	inches mm
"A" Minimum Required Installation Space	4.0 102	3.9 99

**NOTE**

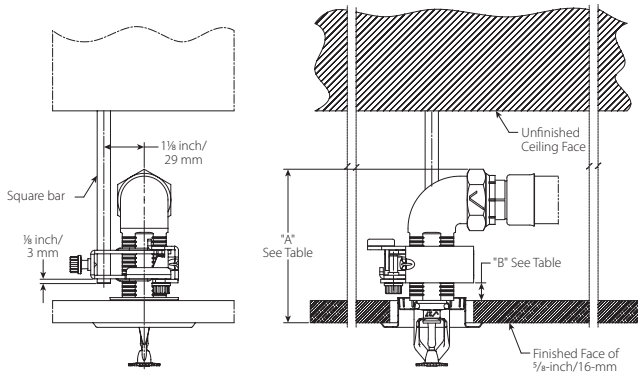
- Variations of ceiling grids, sprinkler heads, brackets, and hoses are permitted but may result in clearance differences from the figures above.

## 4.9 DIMENSIONS

### Clearances

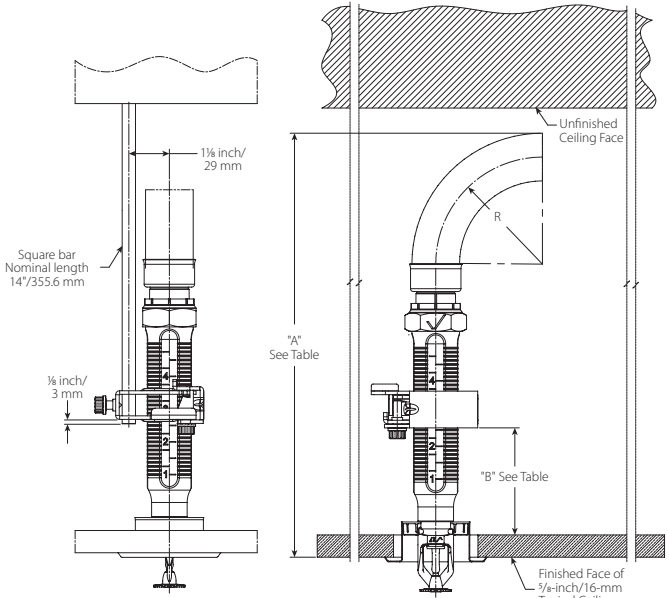
#### Style AB12 and ABBA Bracket

Suspended Ceiling Grid with Recessed Sprinkler with Low Profile Short Elbow



V2707 1/2" / 12.7 mm MAX. RECESS

Suspended Ceiling Grid with Recessed Sprinkler and Straight 5.75"/140mm Reducer



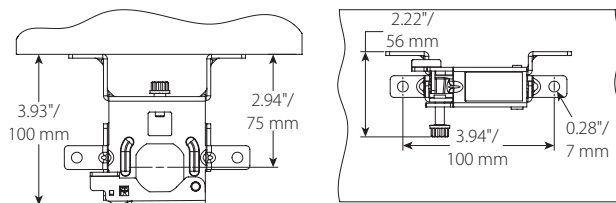
V2707 3/4" / 19 mm MAX. RECESS

Dimension	Low Profile Short Elbow		Low Profile Long Elbow		Standard Short Elbow		Standard Long Elbow		Standard Straight Reducer		
	3/4" / 19mm Recessed*	Concealed	3/4" / 19mm Recessed	Concealed	3/4" / 19mm Recessed	Concealed	3/4" / 19mm Recessed	Concealed	3/4" / 19mm Recessed	Concealed	
	inches mm	inches mm	inches mm	inches mm	inches mm	inches mm	inches mm	inches mm	inches mm	inches mm	
A	Minimum Required Installation Space	4.0 101.6	5.5 139.7	5.6 142.2	7.2 182.9	5.9 149.9	7.5 190.5	7.7 195.6	9.3 236.2	15.0 381.0	16.6 421.6
B	Distance from Top of Typical Ceiling Tile to Bottom of Gate	0.5 12.7	2.0 50.8	1.5 38.1	1.5 38.1	1.5 38.1	1.5 38.1	3.0 76.2	3.0 76.2	3.0 76.2	3.0 76.2

\* Adjustability will be limited

#### Style ABMM Bracket

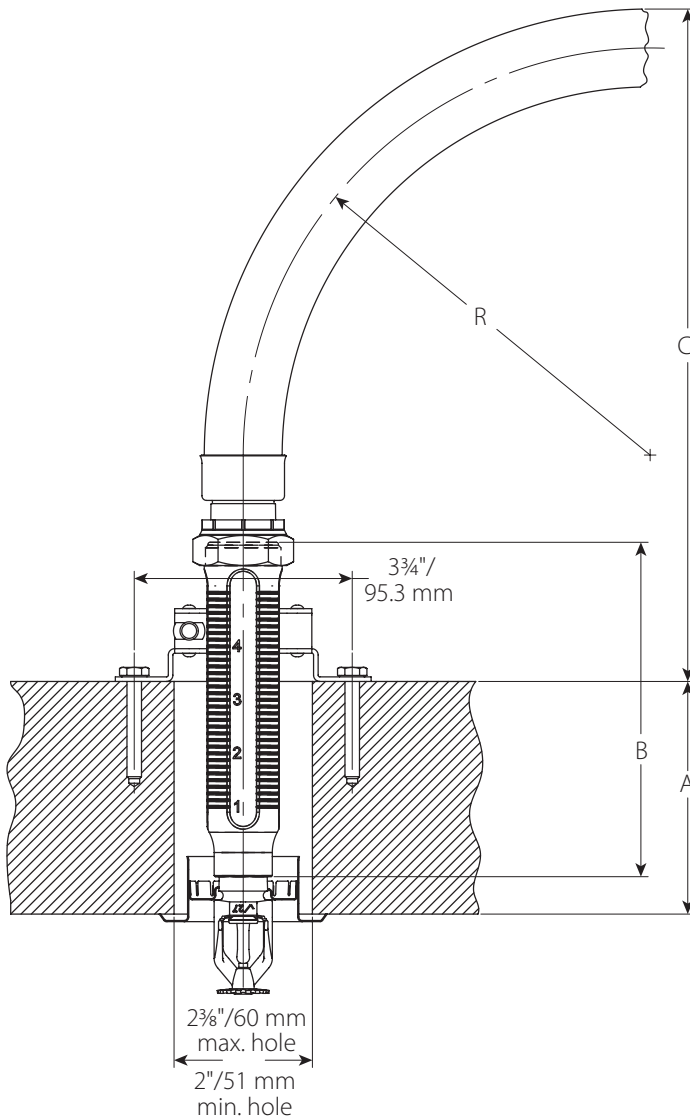
#### Stand-off Dimensions



## 4.10 DIMENSIONS

### Clearances

Series AH2 Braided Hose and Style AB3 and ABMM Bracket  
 Surface Mount Application with Recessed Sprinkler



Hose Clearances										
Dimension	inches mm			inches mm			inches mm		inches mm	
Wall Thickness "A"	2 50			4 100			6 150		8 200	
Outlet Length "B"	5.75 146.1	9 228.6	13 330.2	5.75 146.1	9 228.6	13 330.2	9 228.6	13 330.2	13 330.2	13 330.2
Hose Clearance "C"	12.6 319	15.8 402	19.8 503	10.6 268	13.8 351	17.8 452	11.8 300	15.8 402	13.8 351	11.8 300
Bend Radius "R"	8 200									

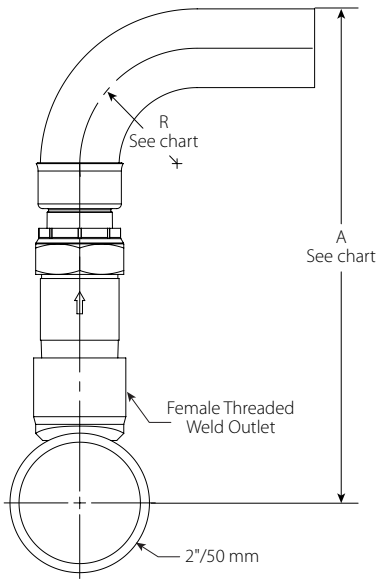
**NOTE**

- Variations of ceiling grids, sprinkler heads, brackets, and hoses are permitted but may result in clearance differences from the figures above.

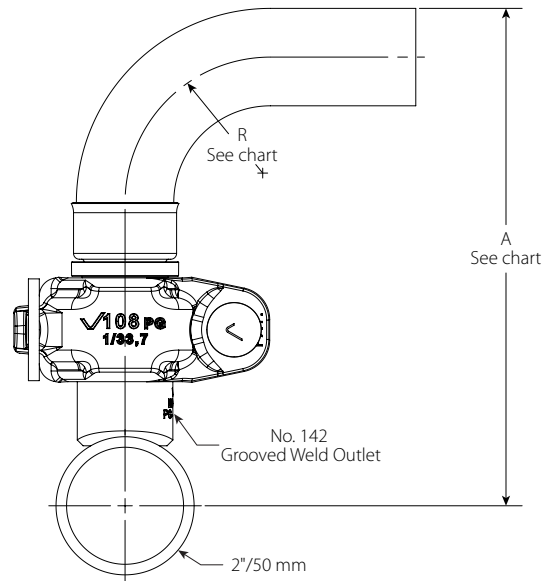
## 4.11 DIMENSIONS

### Branchline clearances

Series AH2 Braided Hose with female threaded outlet



Series AH2-CC Braided Hose with grooved outlet



Hose Clearance Chart		
Dimension		inches mm
R	Minimum Bend Radius	8 203
A	Min.	14.41 366

Hose Clearance Chart		
Dimension		inches mm
R	Minimum Bend Radius	8 203
A	Min.	13.1 333



5.0 PERFORMANCE – FRICTION LOSS DATA



Series AH2-300 and AH2-CC-300 Braided Hoses



Style AB1, AB2, AB3, AB4, AB5, AB7, AB7 Adj., AB8, AB10, AB12, ABBA, ABMM *VicFlex* Brackets

Length of Stainless Steel Flexible Hose inches mm	Sprinkler K-Factor Imperial S.I.	Outlet Size inches/type	Equivalent Length of	Maximum Number of 90° Bends at 8"/200mm Bend Radius
			1"/33.7mm Sch. 40 Pipe feet/meters	
31 790	5.6	1/2"/Straight	13.8/4.2	2
	8.1	1/2"/90° Elbow	23.5/7.1	
36 915	5.6	1/2"/Straight	16.6/5.1	2
	8.1	1/2"/90° Elbow	25.6/7.8	
48 1220	5.6	1/2"/Straight	23.4/7.1	3
	8.1	1/2"/90° Elbow	30.7/9.3	
60 1525	5.6	1/2"/Straight	30.2/9.2	4
	8.1	1/2"/90° Elbow	35.9/10.9	
72 1830	5.6	1/2"/Straight	37.0/11.3	4
	8.1	1/2"/90° Elbow	41.1/12.5	
31 790	8.0	3/4"/Straight	20.7/6.3	2
	11.5	3/4"/90° Elbow	20.5/6.2	
36 915	8.0	3/4"/Straight	25.0/7.6	2
	11.5	3/4"/90° Elbow	24.6/7.5	
48 1220	8.0	3/4"/Straight	35.5/10.8	3
	11.5	3/4"/90° Elbow	34.7/10.6	
60 1525	8.0	3/4"/Straight	39.6/12.1	4
	11.5	3/4"/90° Elbow	40.1/12.2	
72 1830	8.0	3/4"/Straight	43.5/13.2	4
	11.5	3/4"/90° Elbow	45.2/13.7	
31 790	11.2	3/4"/Straight	17.8/5.4	2
	16.1	3/4"/90° Elbow	18/5.5	
36 915	11.2	3/4"/Straight	22.2/6.7	2
	16.1	3/4"/90° Elbow	22.1/6.7	
48 1220	11.2	3/4"/Straight	32.9/10.0	3
	16.1	3/4"/90° Elbow	32.1/9.8	
60 1525	11.2	3/4"/Straight	36.8/11.2	4
	16.1	3/4"/90° Elbow	37.1/11.3	
72 1830	11.2	3/4"/Straight	40.5/12.3	4
	16.1	3/4"/90° Elbow	41.9/12.7	
31 790	14.0	3/4"/Straight	14.9/4.5	2
	20.2	3/4"/90° Elbow	15.5/4.72	
36 915	14.0	3/4"/Straight	19.4/5.9	2
	20.2	3/4"/90° Elbow	19.6/5.9	
48 1220	14.0	3/4"/Straight	30.3/9.2	3
	20.2	3/4"/90° Elbow	29.5/8.9	
60 1525	14.0	3/4"/Straight	33.9/10.3	4
	20.2	3/4"/90° Elbow	34.1/10.4	
72 1830	14.0	3/4"/Straight	37.5/11.4	4
	20.2	3/4"/90° Elbow	38.6/11.7	

FM NOTES:

- Series AH2-300 Braided Flexible Hoses have been tested and Approved by FM Global for use in wet, dry and preaction systems per NFPA 13, 13R, and 13D and FM data sheets 2-0, 2-5, and 2-8. FM 1637 for safety include, but are not limited to, pressure cycling, corrosion resistance, flow characteristics, vibration resistance, leakage, mechanical and hydrostatic strength.
- Differences in equivalent lengths are due to varying test methods, per FM 1637. Refer to these standards for additional information regarding friction loss test methods.
- EXAMPLE: A 48-inch Series AH2-300 hose installed with two 30° bends and two 90° bends at a 7-inch bend radius is permitted and considered equivalent to the data in the table shown above. In this example, the total number of degrees is 240°, which is less than the allowable 270°.

## 6.0 NOTIFICATIONS

 <b>WARNING</b>	
	<ul style="list-style-type: none"><li>• Read and understand all instructions before attempting to install any Victaulic products.</li><li>• Always verify that the piping system has been completely depressurized and drained immediately prior to installation, removal, adjustment, or maintenance of any Victaulic products.</li><li>• Wear safety glasses, hardhat, and foot protection.</li></ul> <p>Failure to follow these instructions could result in death or serious personal injury and property damage.</p>
<ul style="list-style-type: none"><li>• These products shall be used only in fire protection systems that are designed and installed in accordance with current, applicable National Fire Protection Association (NFPA 13, 13D, 13R, etc.) standards, or equivalent standards, and in accordance with applicable building and fire codes. These standards and codes contain important information regarding protection of systems from freezing temperatures, corrosion, mechanical damage, etc.</li><li>• The installer shall understand the use of this product and why it was specified for the particular application.</li><li>• The installer shall understand common industry safety standards and potential consequences of improper product installation.</li><li>• It is the system designer's responsibility to verify suitability of materials for use with the intended fluid media within the piping system and external environment.</li><li>• The material specifier shall evaluate the effect of chemical composition, pH level, operating temperature, chloride level, oxygen level, and flow rate on materials to confirm system life will be acceptable for the intended service.</li></ul> <p>Failure to follow installation requirements and local and national codes and standards could compromise system integrity or cause system failure, resulting in death or serious personal injury and property damage.</p>	

## 7.0 REFERENCE MATERIALS – CHARACTERISTICS

### VicFlex Maximum Load Values

#### Series AH2 Hose with 24" Bracket

Model Size	Actual Length ft m	Total Load		Max. Uniform Load	
		lb	N	lb/linear ft	N/linear m
31/790	2.6 0.8	5.2	23	2.6	38
36/915	3 0.9	5.5	25	2.8	40
48/1220	4 1.2	6.3	28	3.1	46
60/1525	5 1.5	7.0	31	3.5	51
72/1830	6 1.8	7.7	34	3.9	57

#### Series AH2 Hose with 48" Bracket

Model Size	Actual Length ft m	Total Load		Max. Uniform Load	
		lb	N	lb/linear ft	N/linear m
31/790	2.6 0.8	6.1	27	1.5	22
36/915	3 0.9	6.4	29	1.6	23
48/1220	4 1.2	7.2	32	1.8	26
60/1525	5 1.5	7.9	35	2.0	29
72/1830	6 1.8	8.7	39	2.2	32

Total Load is defined as the sum of the weights of the following:

- Water-filled flexible sprinkler hose with threaded end fittings, including a typical fire sprinkler
- Bracket assembly (any applicable Victaulic bracket model of the relevant associated size)

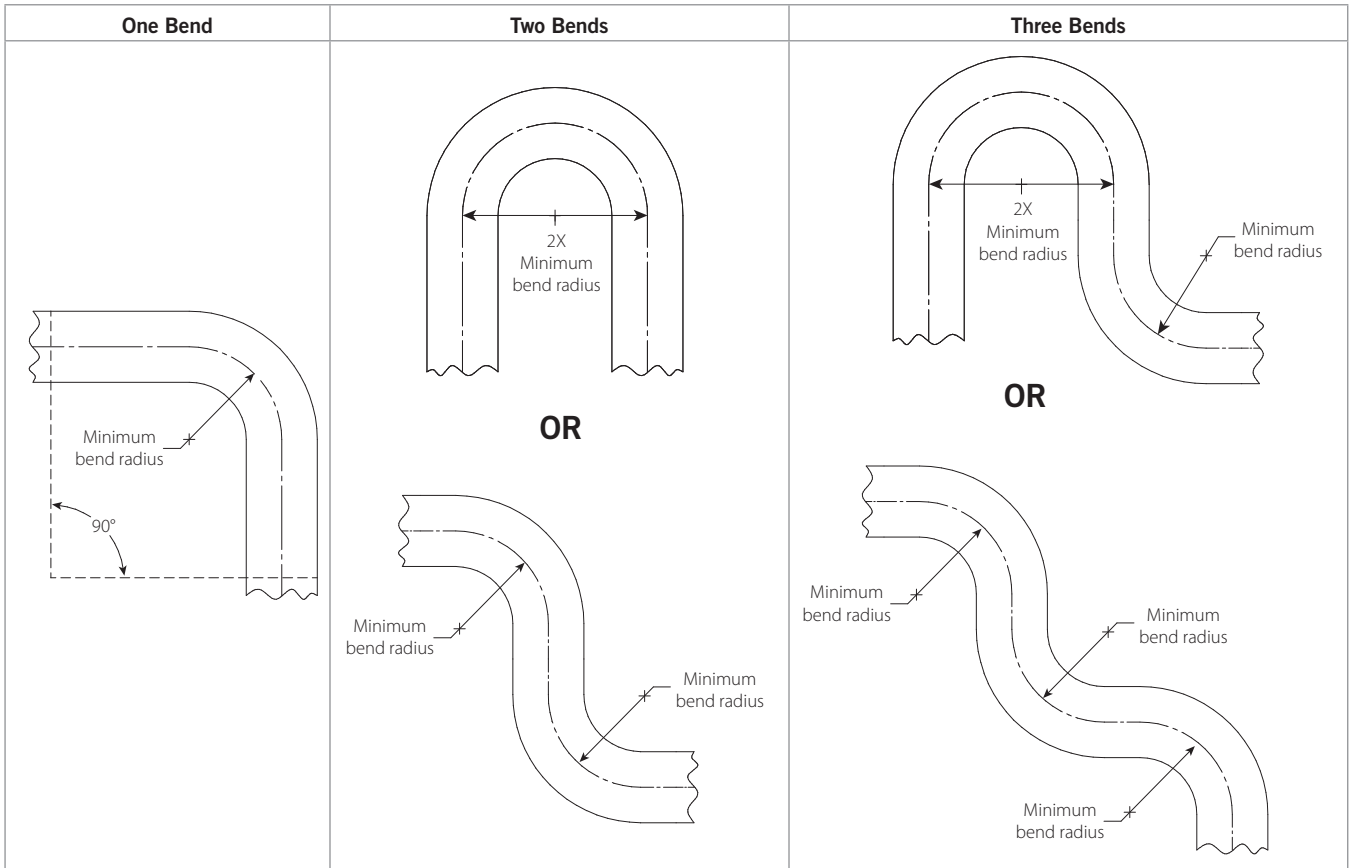
#### ASTM C 635: Suspension System Load-Carrying Capabilities (excerpted)

Suspension System	Actual Length ft/m	Min. Allowable Uniform Load	
		lb/linear ft	N/linear m
Direct Hung	Light	5.0	75.7
	Intermediate	12.0	181.0
	Heavy	16.0	241.7

SUMMARY: All direct-hung suspension system duty classifications per ASTM C 635 are able to withstand the maximum water-filled weight of the VicFlex sprinkler hose and bracket.

## 7.0 REFERENCE MATERIALS – CHARACTERISTICS

### Flexible Hose In-Plane Bend Characteristics



**NOTE**

- For out-of-plane (three-dimensional) bends, care must be taken to avoid imparting torque on the hose.

[I-VicFlex-AB1-AB2-AB10](#)

[I-VicFlex-AB3](#)

[I-VicFlex-AB4](#)

[I-VicFlex-AB5](#)

[I-VicFlex-AB7](#)

[I-VicFlex-AB8](#)

[I-VicFlex-AB12](#)

[I-VicFlex-ABBA](#)

[I-VicFlex-ABMM](#)

**User Responsibility for Product Selection and Suitability**

Each user bears final responsibility for making a determination as to the suitability of Victaulic products for a particular end-use application, in accordance with industry standards and project specifications, and the applicable building codes and related regulations as well as Victaulic performance, maintenance, safety, and warning instructions. Nothing in this or any other document, nor any verbal recommendation, advice, or opinion from any Victaulic employee, shall be deemed to alter, vary, supersede, or waive any provision of Victaulic Company's standard conditions of sale, installation guide, or this disclaimer.

**Intellectual Property Rights**

No statement contained herein concerning a possible or suggested use of any material, product, service, or design is intended, or should be construed, to grant any license under any patent or other intellectual property right of Victaulic or any of its subsidiaries or affiliates covering such use or design, or as a recommendation for the use of such material, product, service, or design in the infringement of any patent or other intellectual property right. The terms "Patented" or "Patent Pending" refer to design or utility patents or patent applications for articles and/or methods of use in the United States and/or other countries.

**Note**

This product shall be manufactured by Victaulic or to Victaulic specifications. All products to be installed in accordance with current Victaulic installation/assembly instructions. Victaulic reserves the right to change product specifications, designs and standard equipment without notice and without incurring obligations.

**Installation**

Reference should always be made to I-VICFLEX-AB1-AB2-AB10, I-VICFLEX-AB4-AB9, I-VICFLEX-AB7, or I-VICFLEX-AB8 for the product you are installing. Handbooks are included with each shipment of Victaulic products for complete installation and assembly data, and are available in PDF format on our website at [www.victaulic.com](http://www.victaulic.com).

**Warranty**

Refer to the Warranty section of the current Price List or contact Victaulic for details.

**Trademarks**

*Victaulic* and all other Victaulic marks are the trademarks or registered trademarks of Victaulic Company, and/or its affiliated entities, in the U.S. and/or other countries.